

Plastic Components for Electrical Industry



End Clamp



Bobbin



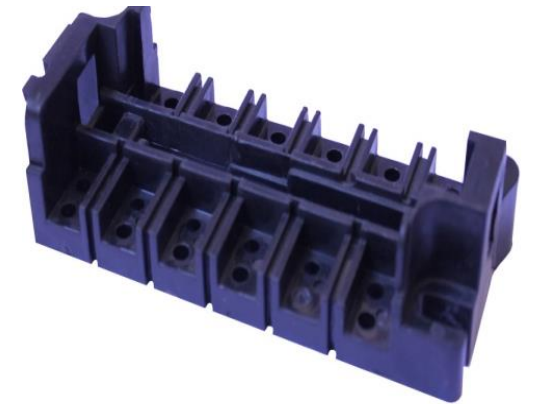
Cap Switch Cover



Cable Clip



Flag Indicator

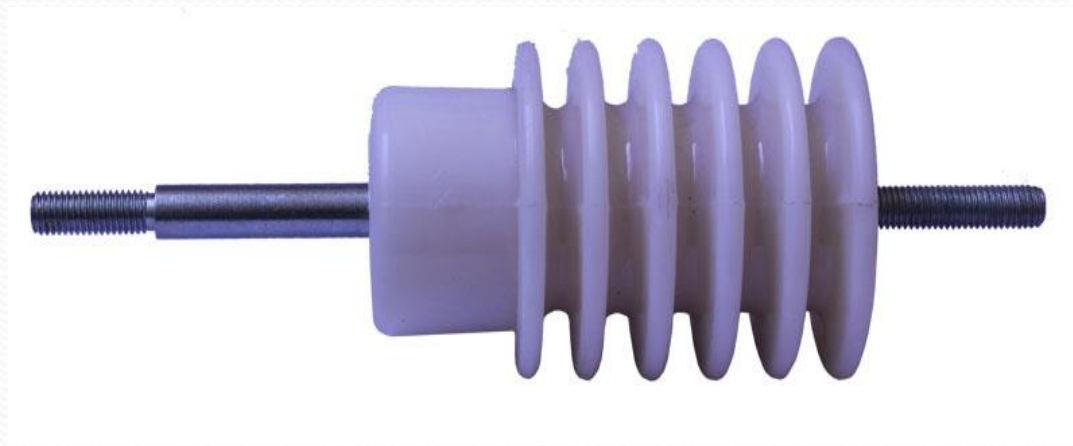


Auxiliary Switch

Plastic Components for Electrical Industry

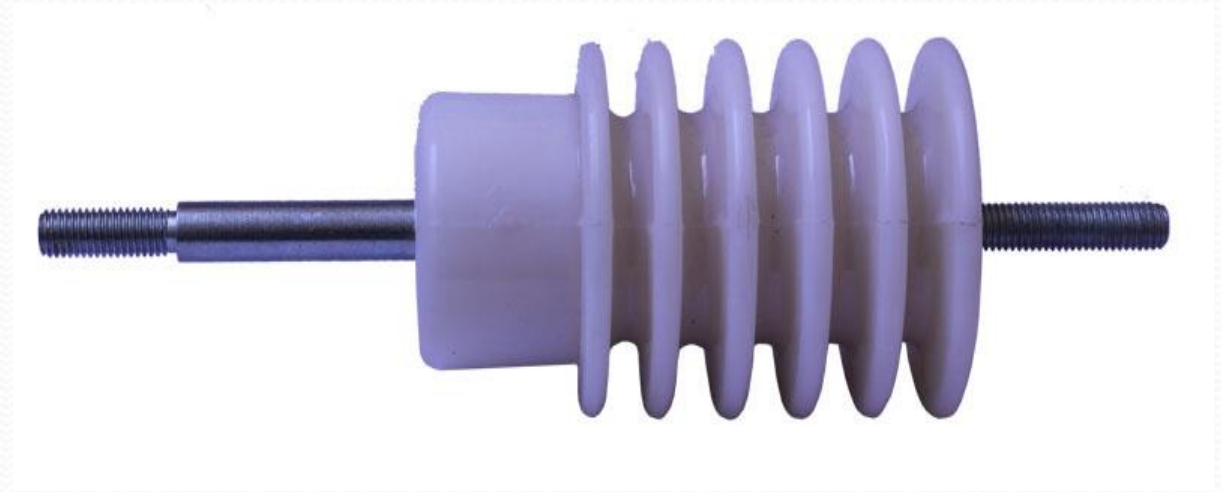


Nylon Insulator for
Vacuum Circuit
Breaker



Nylon Insulator for Vacuum Contactor

Nylon Insulator



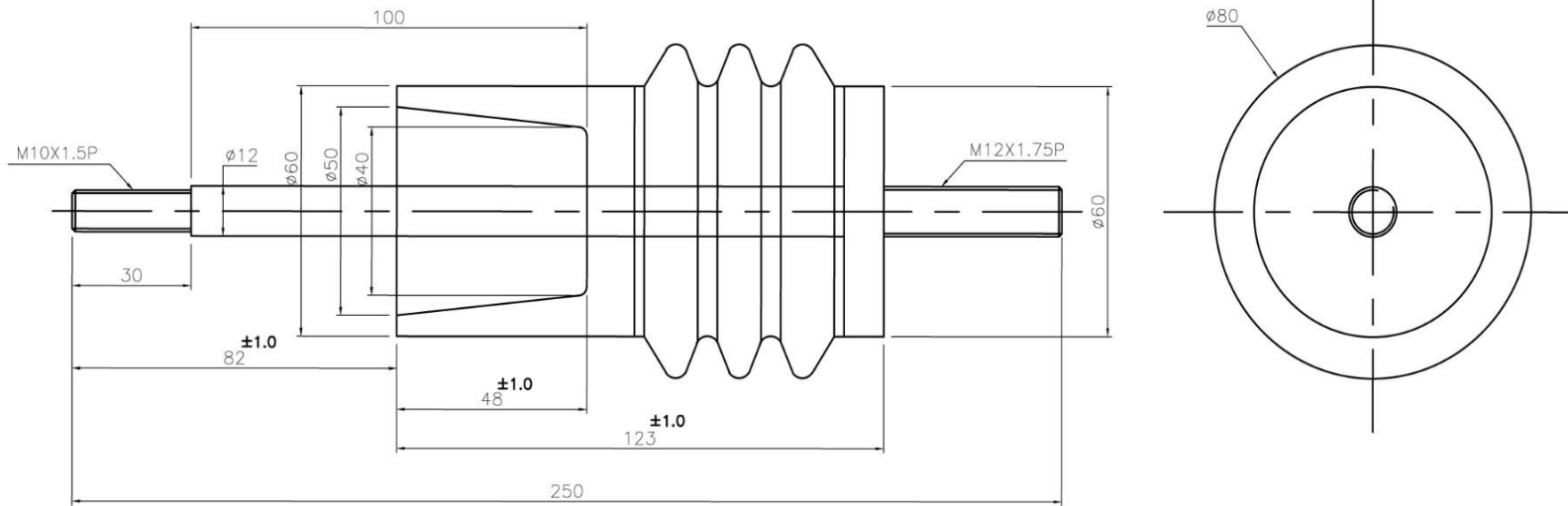
End Clamp



Terminal Block



Epoxy Insulator



Note:

Inserts to be plated with ZINC YELLOW PASSIVATION

MATERIAL : EPOXY RESIN	QTY : 3 Nos	Tolerance to be with in $\pm 0.2\text{mm}$ & $\pm 2'$ as per IS:2102, Unless otherwise Specified.	COMPONENT	DRIVE INSULATOR
FINISH : MOULDING - RED			PRODUCT	12KV VCB TRUCK _ YP
			ASSEMBLY	POLE ASSY



Epoxy Housing and Insulators



Housing



11 KV Epoxy Insulator



6.6 KV Epoxy Insulator

Polyurethane Coating to Vacuum Interrupters



We are Group of companies, started our Entrepreneurship carrier from a very humble beginning on 21 April 1989 and now diversified ourselves in world class manufacturers of plastic, Polyurethane and Epoxy tailor made Components.

APM PLAST

Address: A-42/B-2, B-3, B-4, Aurangabad co-op Industrial Estate, Railway Station, MIDC, Aurangabad. 431005

AR POLYMERS

Address: C-252/4, V-17 MIDC Waluj, Aurangabad. 431136

APM PLAST UNIT - 2

Address : Plot no P-5/2, GUT No 46, Ghanegaon, MIDC, Waluj

www.apmplast.com



About Us

APM Plast & AR Polymers

MOULDING YOUR VISION

Competencies

Plastic, Polyurethane and Epoxy Components are customizable as per Requirement.

Plastic Moulding

- Horizontal and Vertical Moulding Machines available for Plastic Injection Moulding.
- We are manufacture products starting from less than 1 gram to 450 grams.

Polyurethane

- Automatic Meter Mixing and Dispensing Machine available for Polyurethane Casting.
- We are the suppliers for Polyurethane coating for vacuum interrupter.

Epoxy Components

- Automatic Pressure Gelation Machine is available for Epoxy Casting.
- Fully automatic Epoxy mixer available for mixing of raw materials (Capacity 50 kg).
- Automatic Gravity Casting Epoxy Machine is available for Epoxy components.

Why you should Choose us

We are manufacturers, and we consider ourselves as a custodian of “Lord Vishwakarma”, from last 29 years we have always become an asset to everyone who is associated with us because of our strong ethics and values.



Thank You

Ajinkya Kawathekar 

+91-7558763639 

sales@apmplast.com 

LinkedIn 